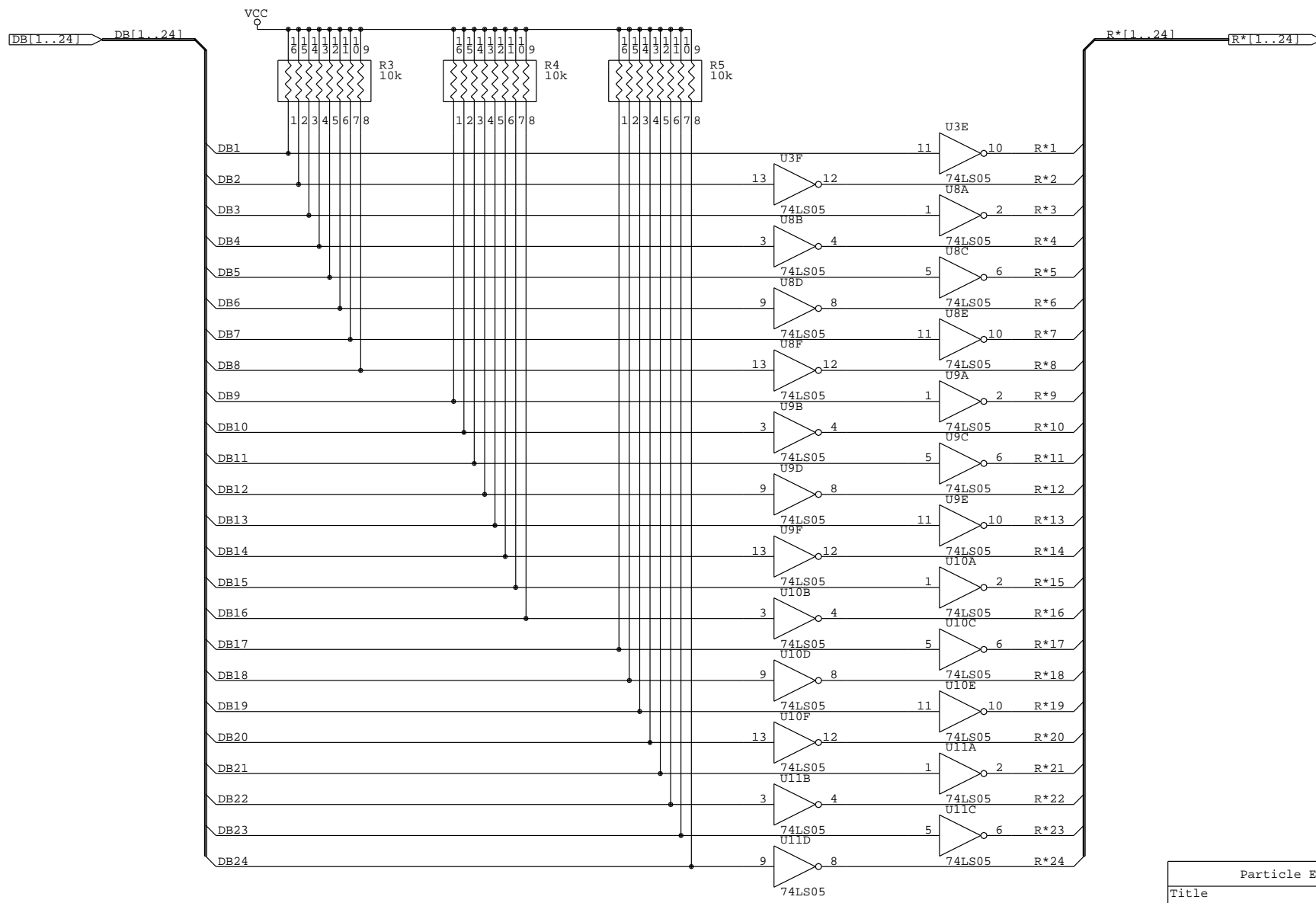
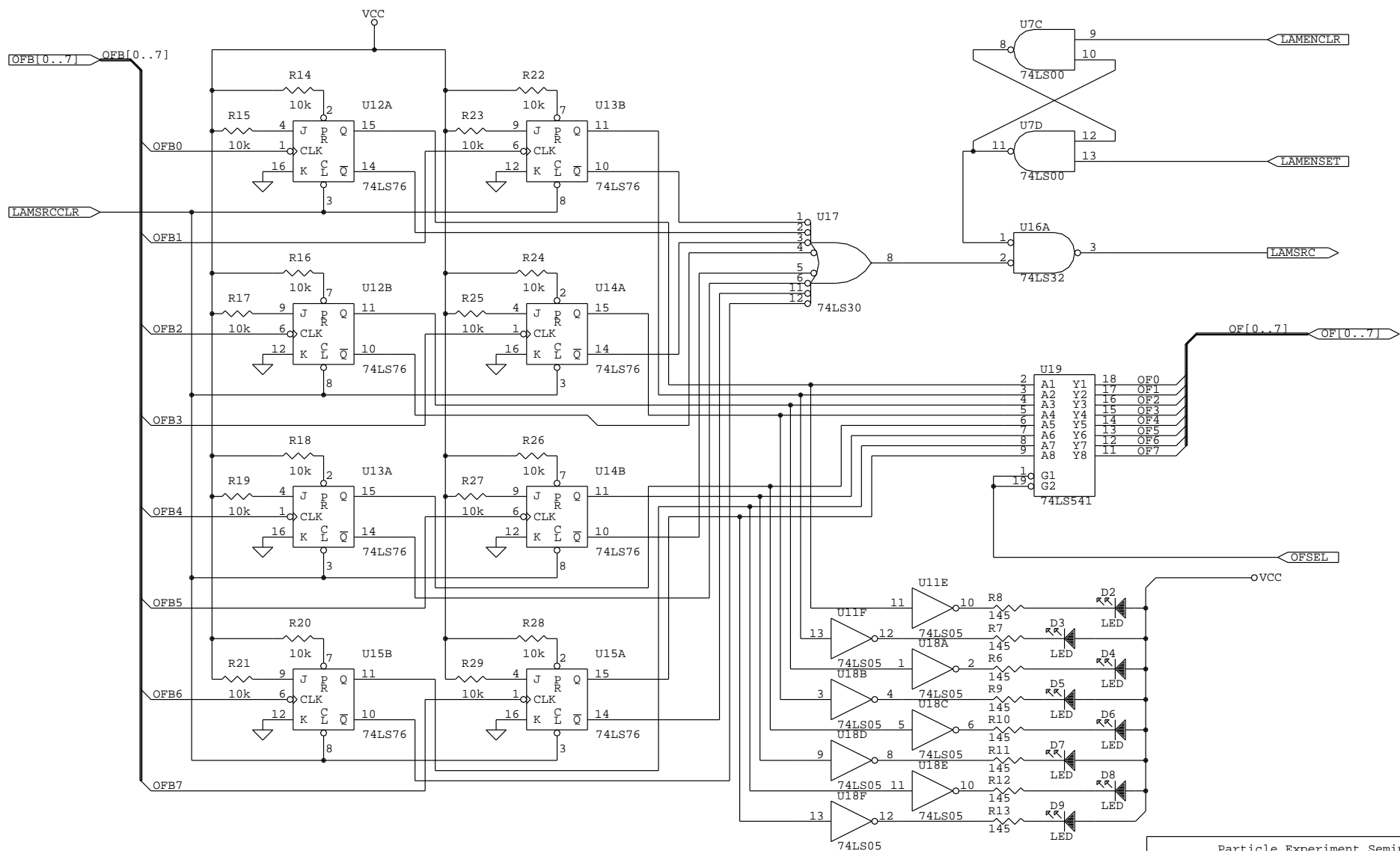


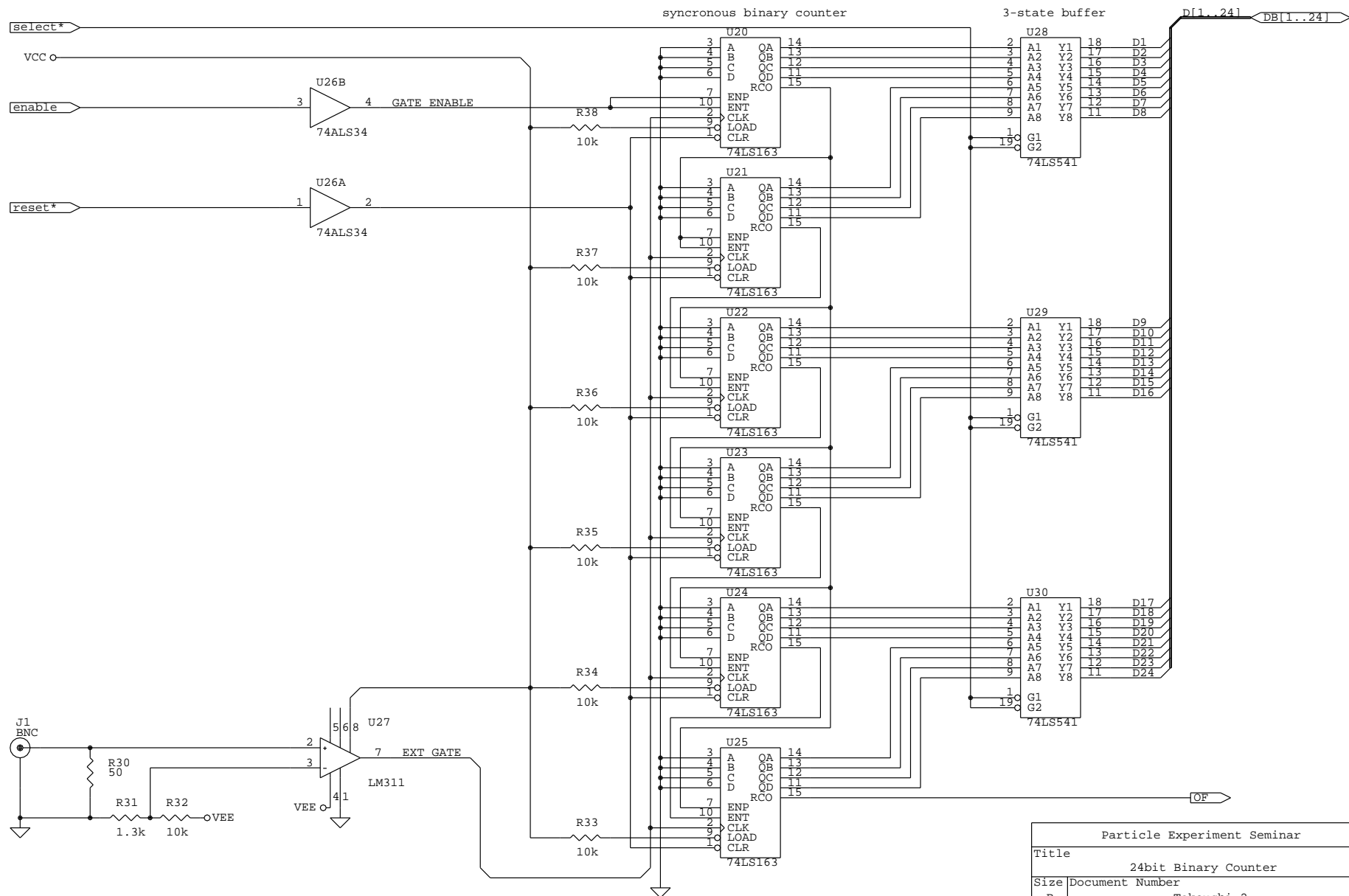
Particle Experiment Seminar	
Title	CAMAC Blind Scaler
Size	Document Number
B	Takeuchi 1
Date:	July 11, 1994 Sheet 1 of



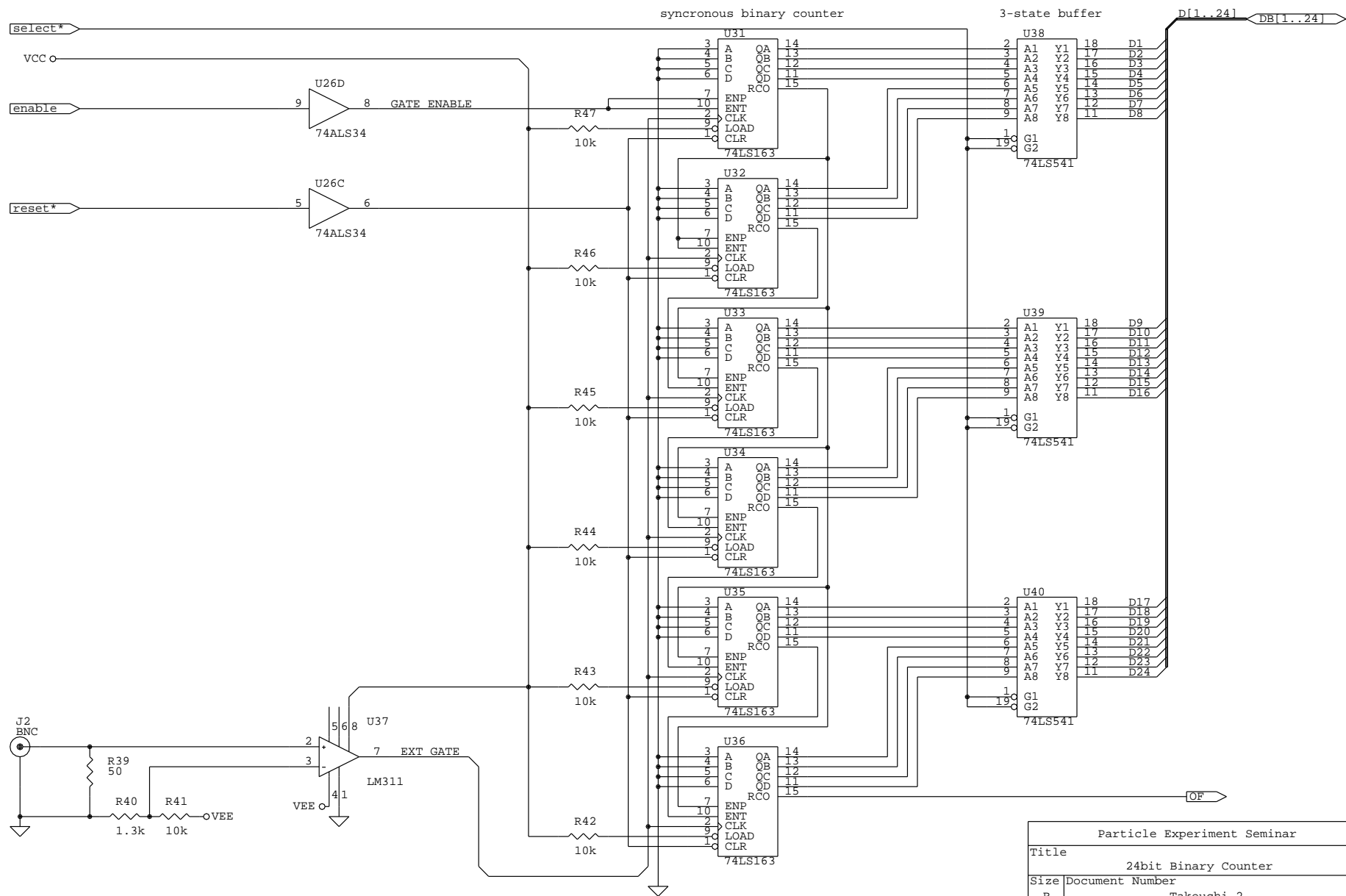
Particle Expermant Seminar	
Title	Open collector output
Size	Document Number
B	Takeuchi 4
Date:	July 11, 1994 Sheet 2 of



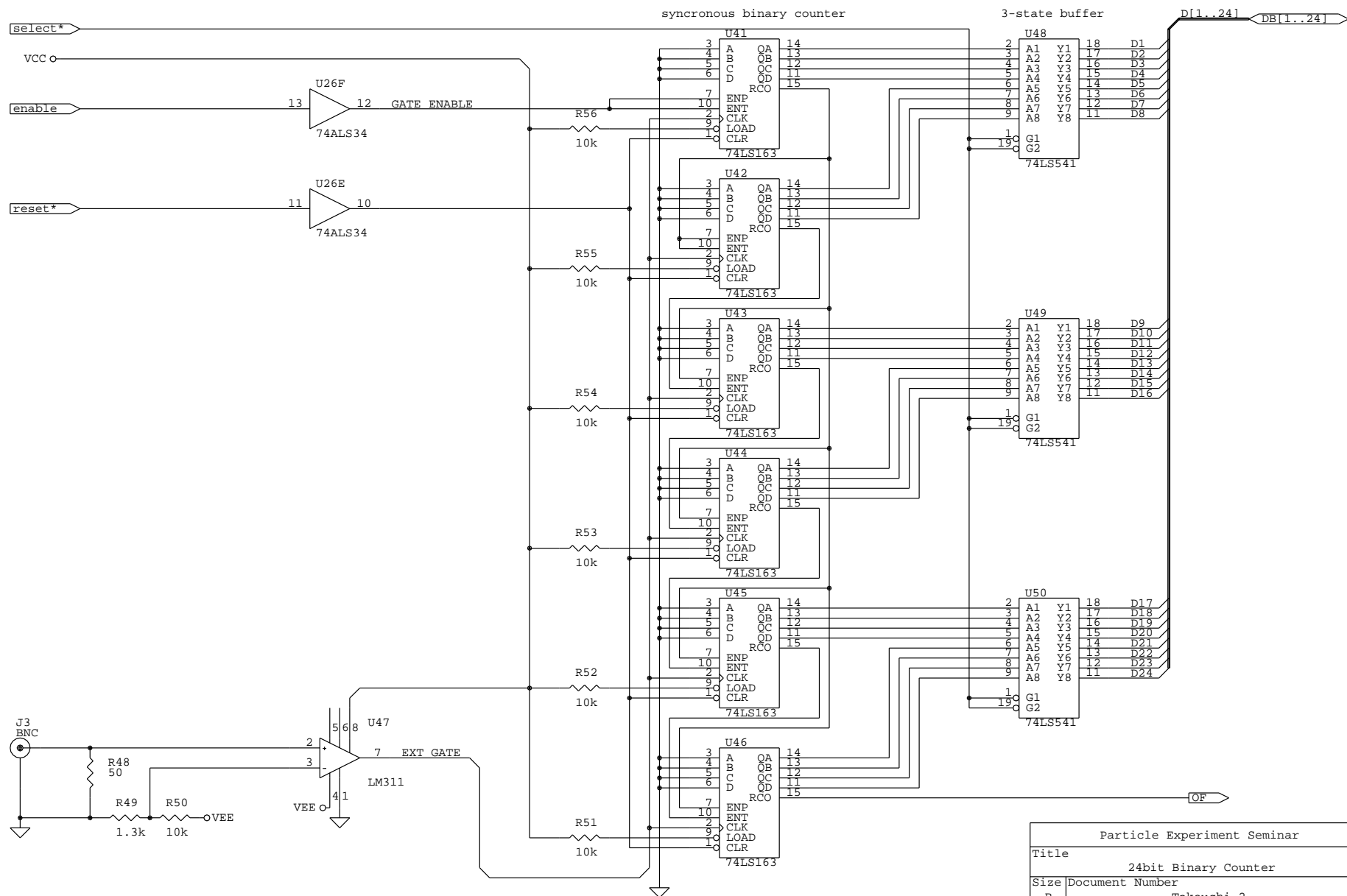
Particle Experiment Seminar			
Title	LAM		
Size	Document Number	B	
		Takeuchi 3	
Date:	July 11, 1994	Sheet	3 of



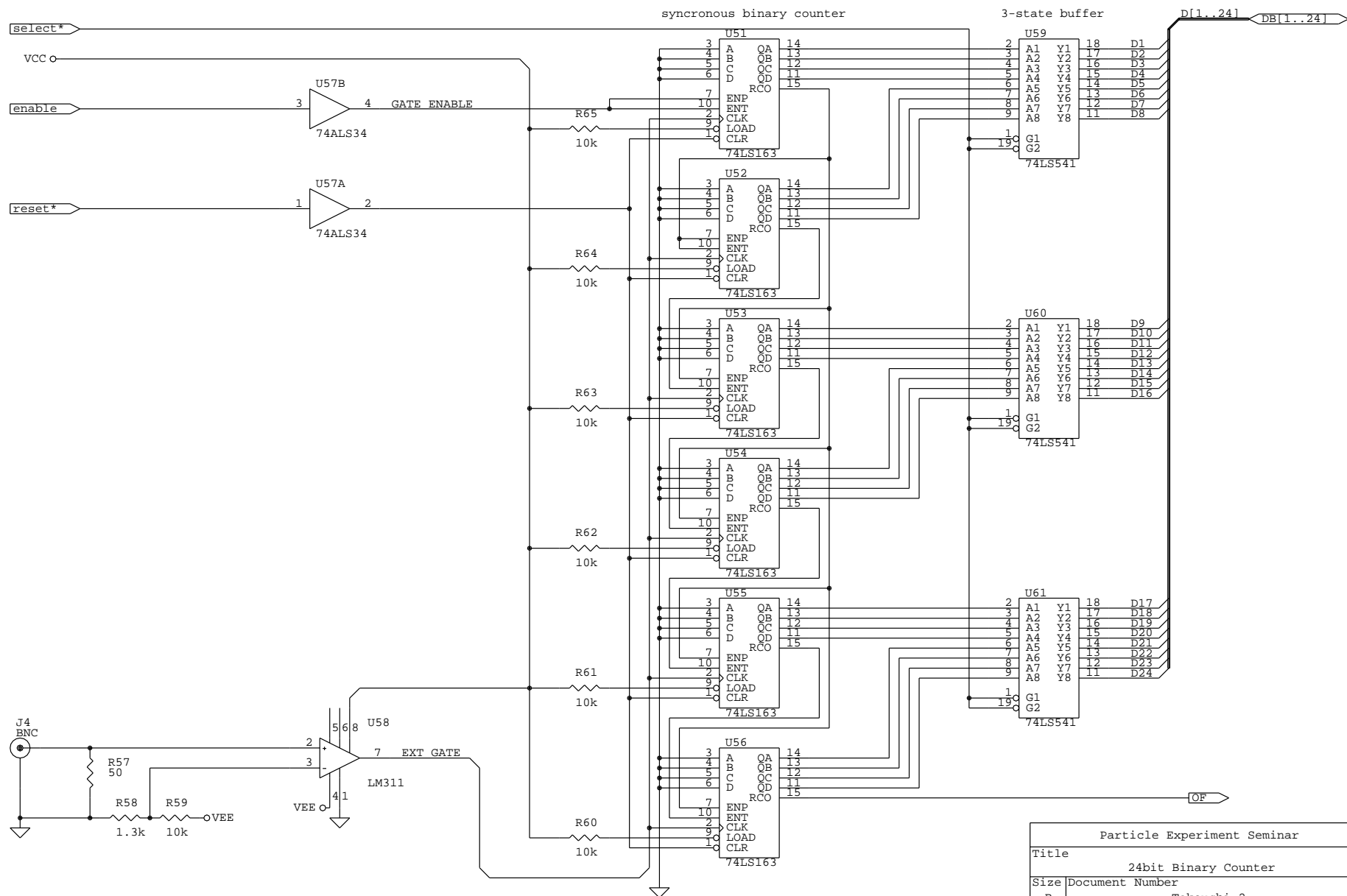
Particle Experiment Seminar	
Title	24bit Binary Counter
Size	Document Number
B	Takeuchi 2
Date:	July 11, 1994 Sheet 4 of



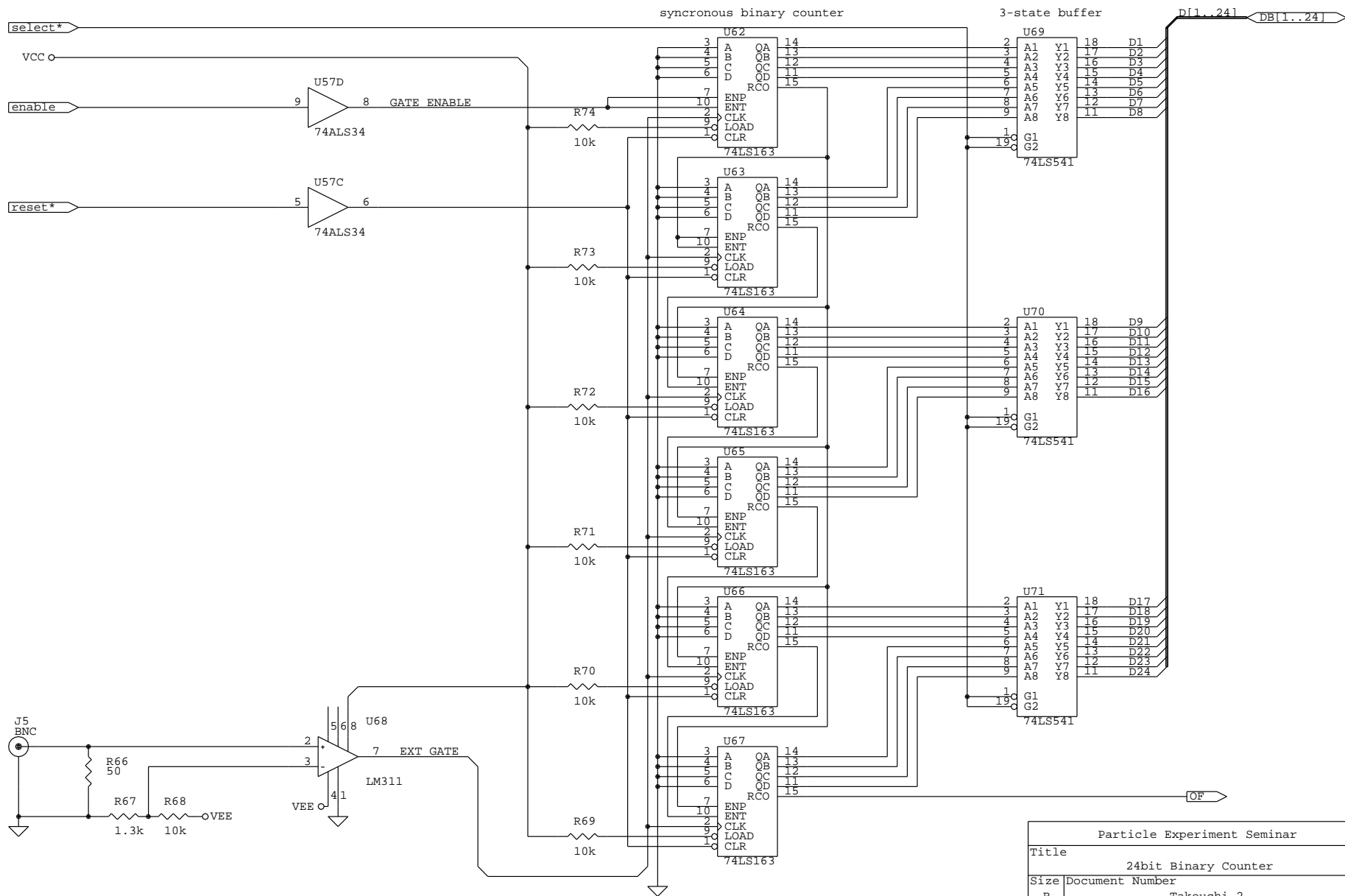
Particle Experiment Seminar	
Title	24bit Binary Counter
Size	Document Number
B	Takeuchi 2
Date:	July 11, 1994 Sheet 5 of

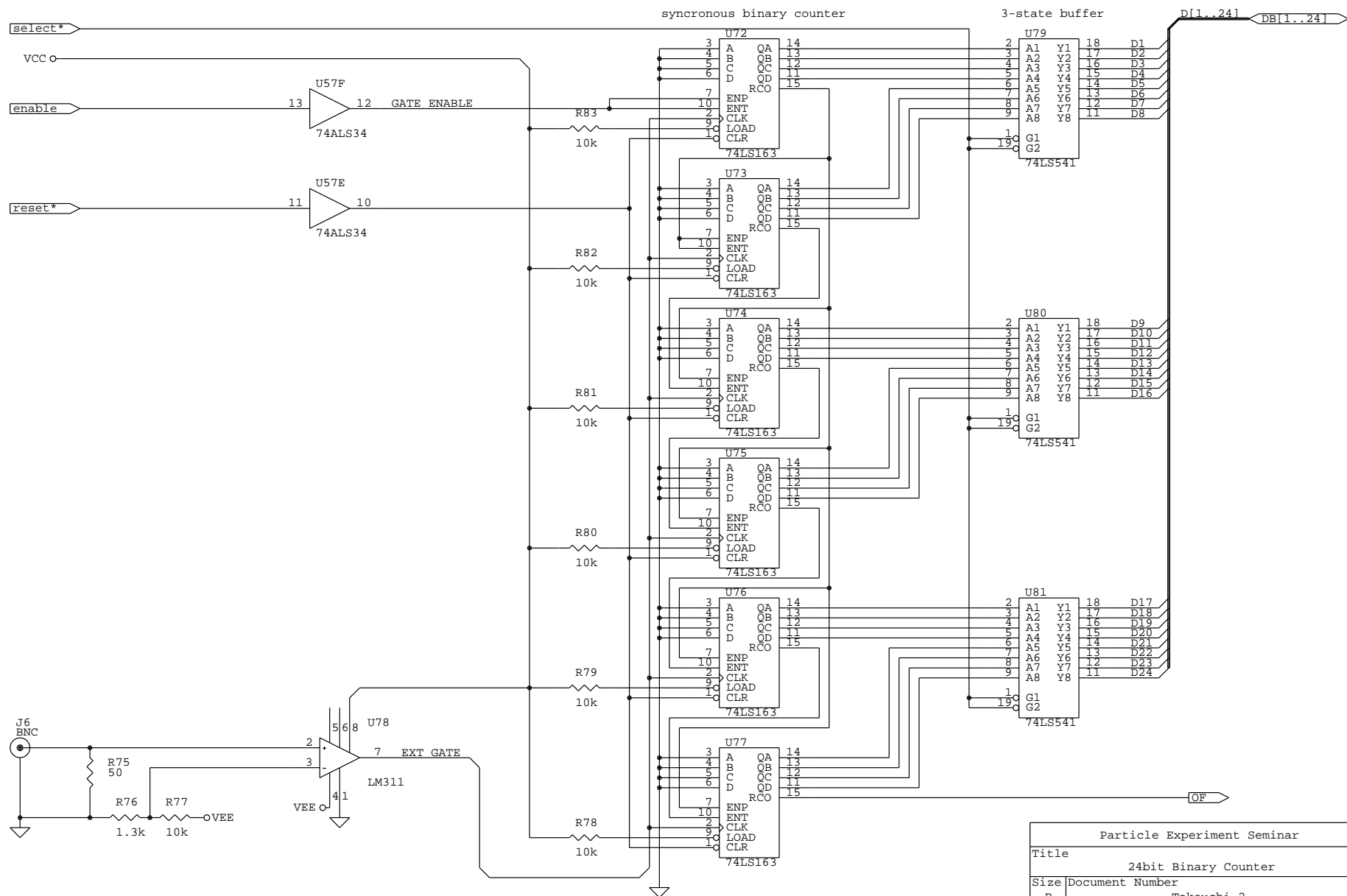


Particle Experiment Seminar	
Title	24bit Binary Counter
Size	Document Number
B	Takeuchi 2
Date:	July 11, 1994
Sheet	6 of

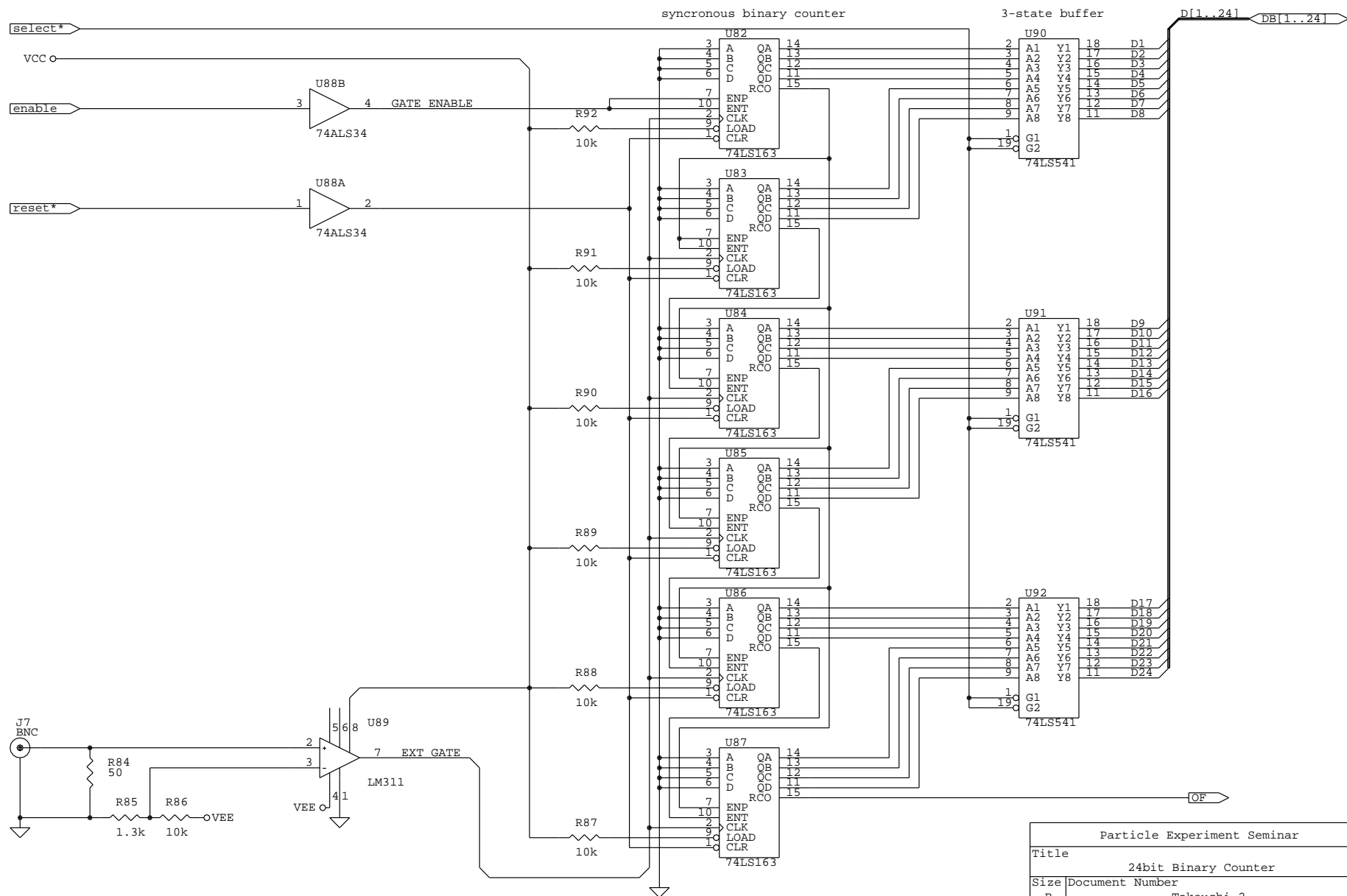


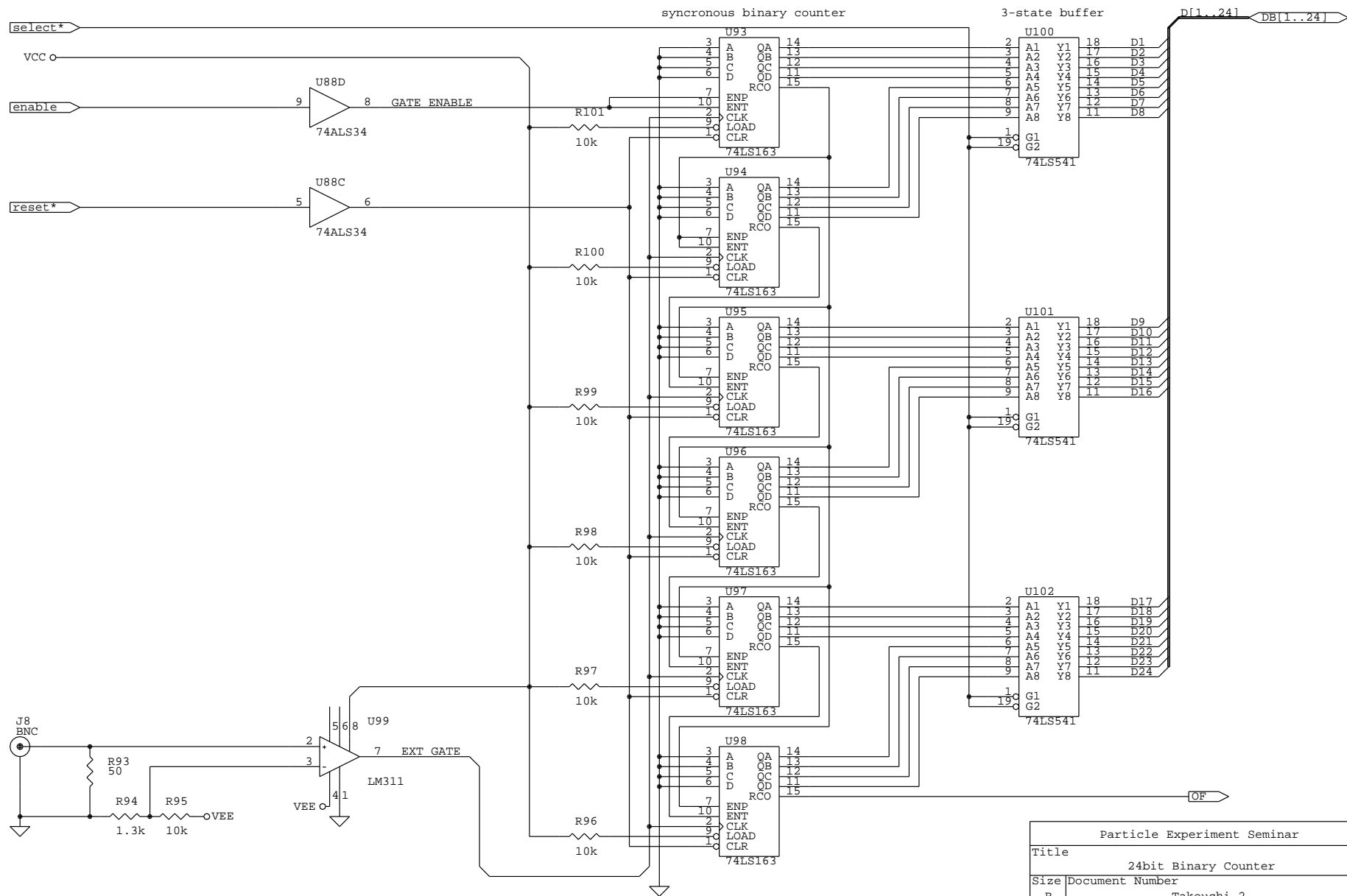
Particle Experiment Seminar	
Title	24bit Binary Counter
Size	Document Number
B	Takeuchi 2
Date:	July 11, 1994 Sheet 7 of





Particle Experiment Seminar	
Title	24bit Binary Counter
Size	Document Number
B	Takeuchi 2
Date:	July 11, 1994 Sheet 9 of





Particle Experiment Seminar	
Title	24bit Binary Counter
Size	Document Number
B	Takeuchi 2
Date:	July 11, 1994 Sheet 11 of